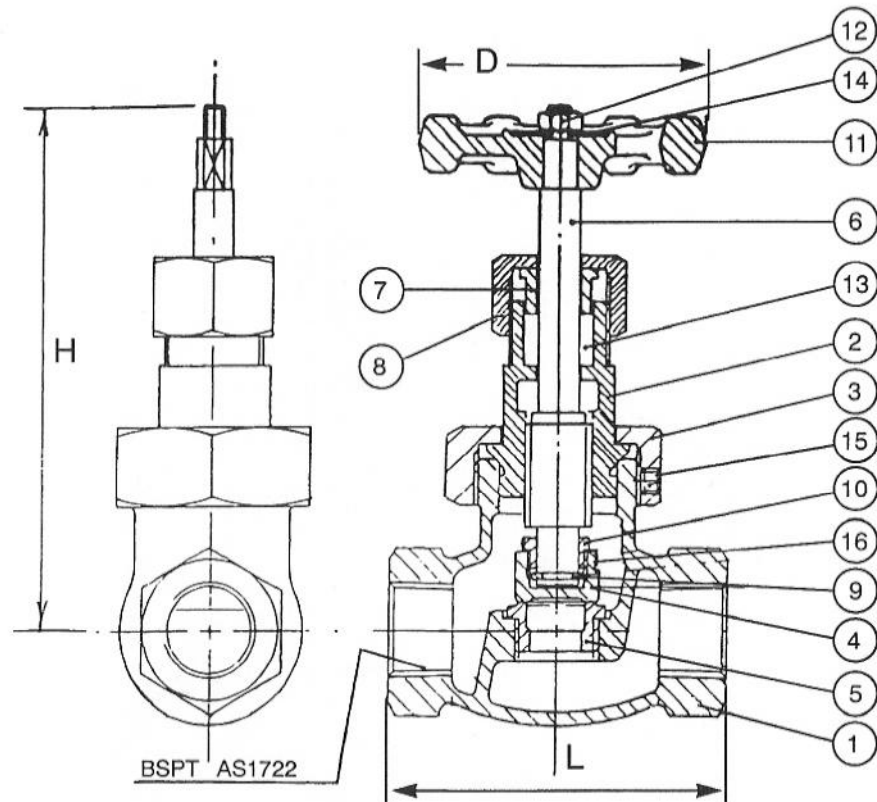


Options: ① Handwheels – A Bronze – B Black Fibre Plastic

Pressures: 2400 kPa CWP
Steam: 1400 kPa @ 180°C



* Union Bonnet Style

Dimensions

Size mm	8	10	15	20	25	32	40	50	65	80	100
L	76	76	76	88	105	120	140	175	•	•	•
H	115	115	115	125	136	160	190	190	•	•	•
D	65	65	65	65	90	90	120	120	•	•	•
Wt/kgs	1.0	1.0	1.0	1.4	2.1	3.1	4.8	7.5	•	•	•

16	TAB WASHER	STAINLESS STEEL	
15	GRUB SCREW	STAINLESS STEEL	
14	NAMEPLATE	ALUMINIUM	
13	PACKING	GRAPHOIL	
12	HANDWHEEL NUT	DR BRASS	AS1567 360
11	HANDWHEEL	ZINC ALUM	AS1274
10	RETAINER NUT	DR BRASS	AS1567 360
9	SPLIT COLLAR	DR BRASS	AS1567 360
8	GLAND NUT	DR BRASS	AS1567 360
7	GLAND	DR BRASS	AS1567 360
6	SPINDLE	MANG. BRONZE	AS1567 686D
5	VALVE SEAT	STAINLESS STEEL	AS2837 -431
4	VALVE DISC / DISC HOLDER	S/S / RTFE	AS2837 / -431
3	BONNET NUT*	BRONZE	AS1565 C83600
2	BONNET*	BRONZE	AS1565 C83600
1	BODY	BRONZE	AS1565 C83600

ITEM	DESCRIPTION	MAT'L	STANDARD
------	-------------	-------	----------



PROMET VALVES AUSTRALIA
1A Green Road Woodville West SA 5011
www.prometvalves.com promet@prometvalves.com
T: 08 8268 1777 ABN 47096 425 697 F: 08 8268 1711

FIG No

T101

STERLING SERIES GLOBE VALVE – SCREWED AS1271